

# 870-2, 871-2 SERIES

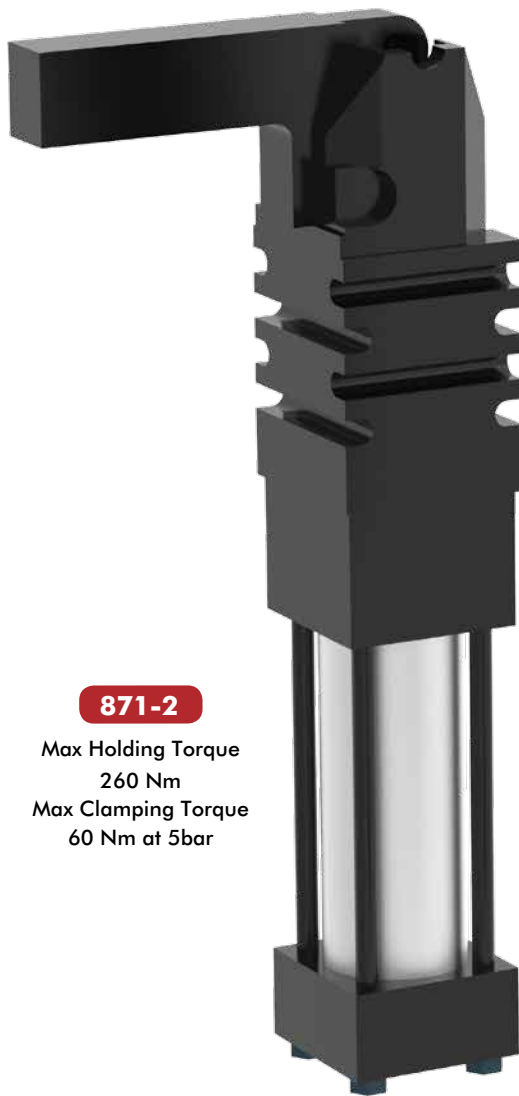
## Pneumatic Power Clamps | Ordering Information

### 870-2

Base Model	Description
<b>870-2</b>	With Clamping Arm in Vertical Position
<b>871-2</b>	With Clamping Arm in Horizontal Position

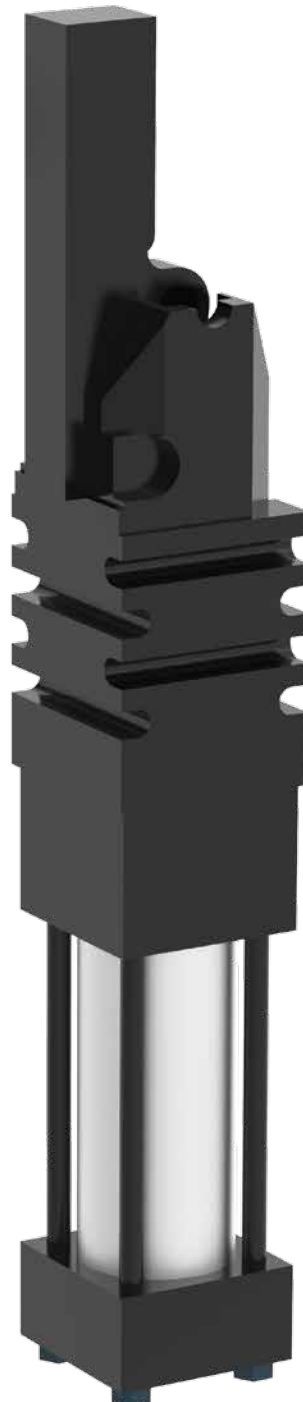
Sensors	Description (order separately)
<b>BIM-IKE-AP</b>	Magnetic Sensor, 2 pieces required
<b>810151</b>	Magnetic Sensor, 2 pieces required
<b>810153</b>	Magnetic Sensor, 2 pieces required
<b>810155</b>	Magnetic Sensor, 2 pieces required
<b>810157</b>	Magnetic Sensor, 2 pieces required

See page PC-PPC-58 for sensor specifications.



### 871-2

Max Holding Torque  
260 Nm  
Max Clamping Torque  
60 Nm at 5bar



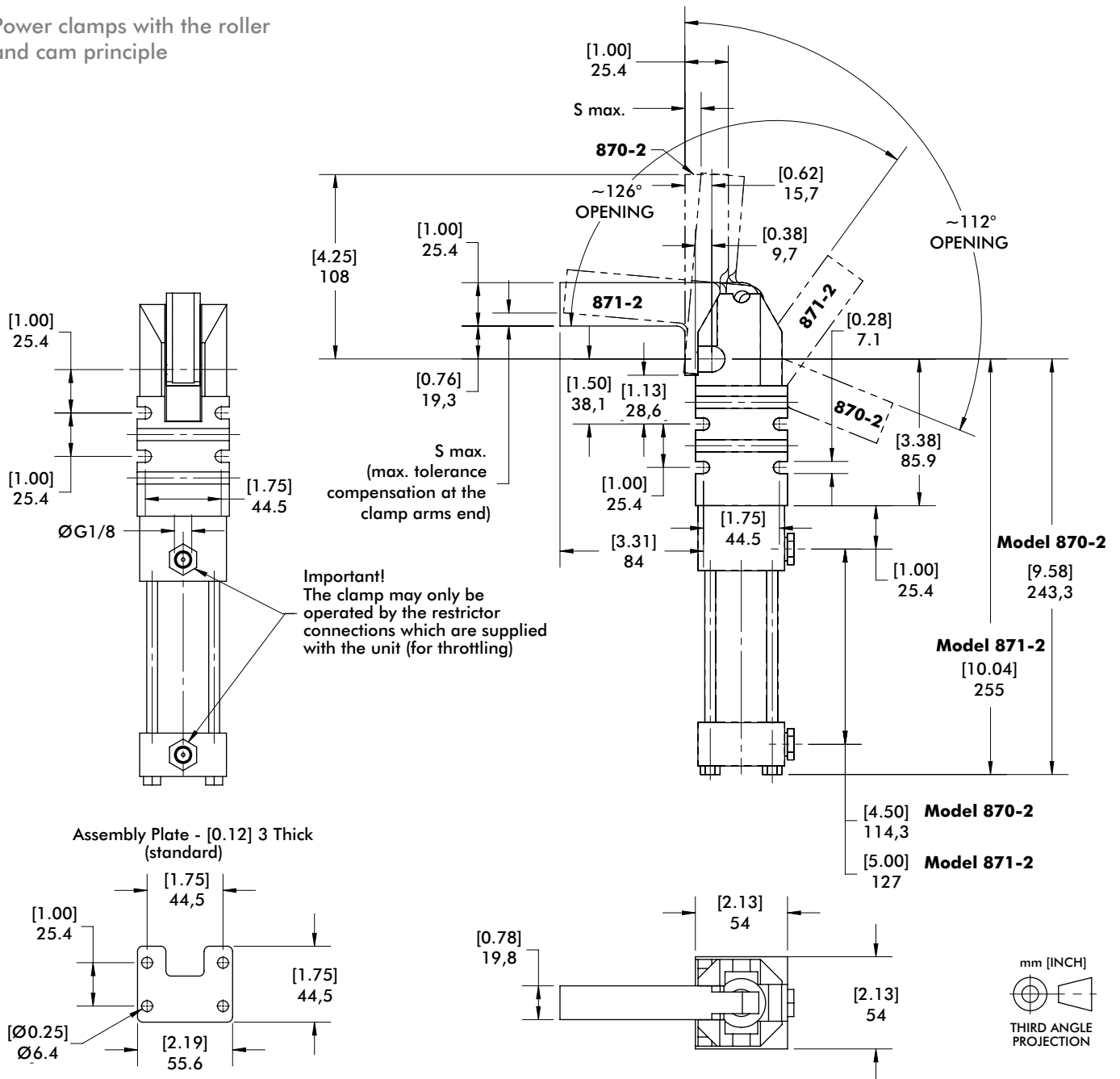
### 870-2

Max Holding Torque  
260 Nm  
Max Clamping Torque  
60 Nm at 5bar

# 870-2, 871-2 SERIES

## Pneumatic Power Clamps | Dimensions | Technical Specifications

Power clamps with the roller and cam principle



Model	Connection	S Max. Max. Tolerance Compensation at the Clamp Arms End [ft lb] Nm	Max. Operating Pressure [psi] bar	Cylinder Ø [in.] mm	Opening Angle	Weight [lbs] kg	Air Consumption per double stroke at 5 bar dm <sup>3</sup> [ft <sup>3</sup> ]
870-2	G 1/8	[3] 4,5	[145] 10	[1.50] 38,1	112°	[6.60] 3	0,95 [0.03]
871-2		[3] 3,5			118°		

Sensor Options	Mount Style	Connector	Length	Function	Voltage	Max. Switching Current	Voltage Drop
BIM-IKE-AP	Tie Rod	No connector cord	2m [6.6 ft.]	PNP	10-30V DC	200mA	2.3V
810151				Reed	5-120V AC/DC	500mA	3.5V
810153			Reed	24-240V AC	4A	1.0V	
810155			PNP	6-24V DC	500mA	1.0V	
810157			NPN	6-24V DC	500mA	1.0V	

# 860, 861, 890, 891, 1000, 1001 SERIES

## Pneumatic Power Clamps | Ordering Information

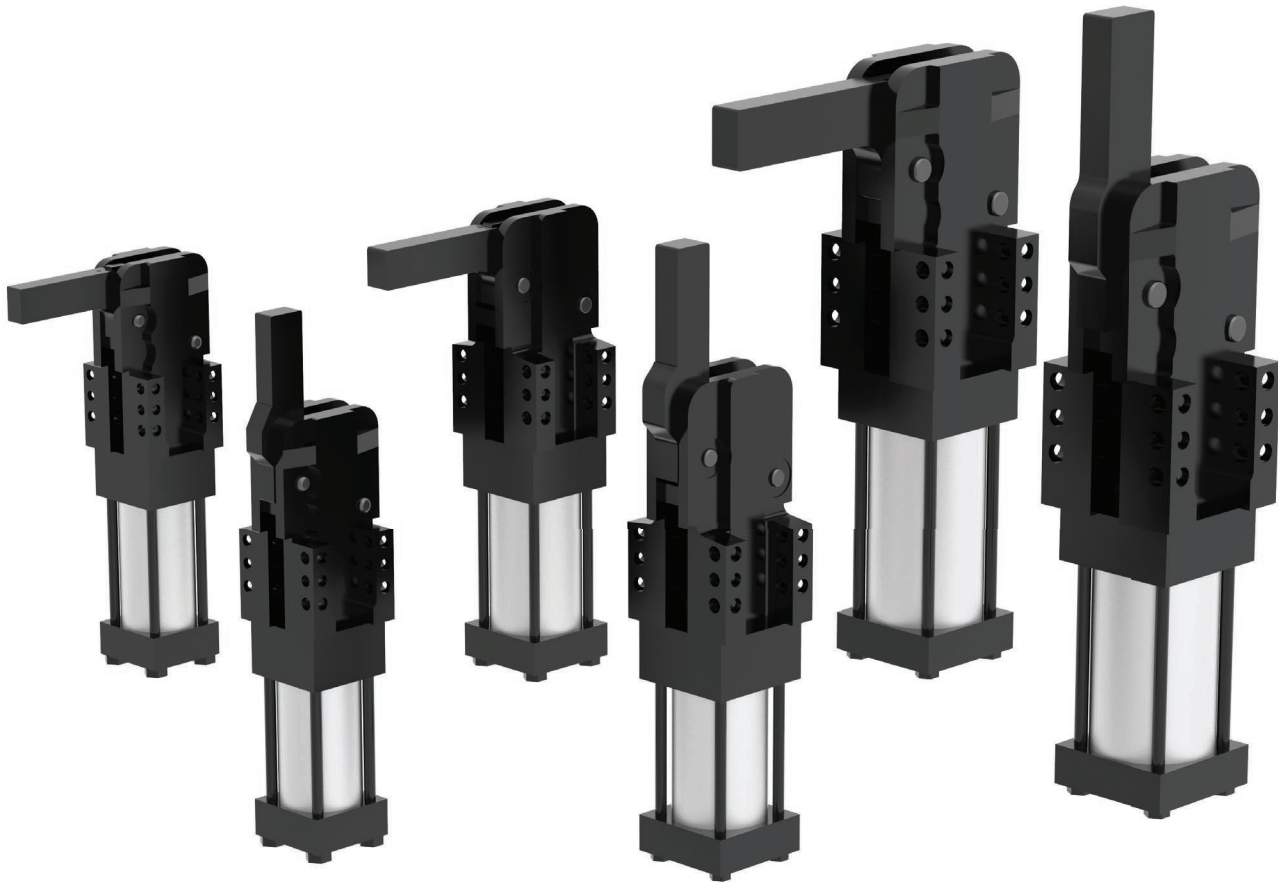
860

Base Model	Description
860	2 in. Cylinder Bore Size with Vertical Clamp Arm
861	2 in. Cylinder Bore Size with Horizontal Clamp Arm
890	2.5 in. mm Cylinder Bore Size with Vertical Clamp Arm
891	2.5 in. Cylinder Bore Size with Horizontal Clamp Arm
1000	3.25 in. Cylinder Bore Size with Vertical Clamp Arm
1001	3.25 in. Cylinder Bore Size with Horizontal Clamp Arm

Sensors	Description (order separately)
BIM-IKE-AP	Magnetic Sensor, 2 pieces required

Seal Kit	Description (order separately)
8610100	Seal Kit for Model 860, 861
8910100	Seal Kit for Model 890, 891
10010100	Seal Kit for Model 1000, 1001

Cylinder	Description (order separately)
865133-MR	Replacement Cylinder for Model 860
865132-MR	Replacement Cylinder for Model 861
895133-MR	Replacement Cylinder for Model 890
895132-MR	Replacement Cylinder for Model 891
1005134-MR	Replacement Cylinder for Model 1000
1005133-MR	Replacement Cylinder for Model 1001



861

Max Holding Torque  
380 Nm  
Max Clamping Torque  
120 Nm at 5bar

891

Max Holding Torque  
1300 Nm  
Max Clamping Torque  
270 Nm at 5bar

1001

Max Holding Torque  
1800 Nm  
Max Clamping Torque  
420 Nm at 5bar

860

Max Holding Torque  
380 Nm  
Max Clamping Torque  
120 Nm at 5bar

890

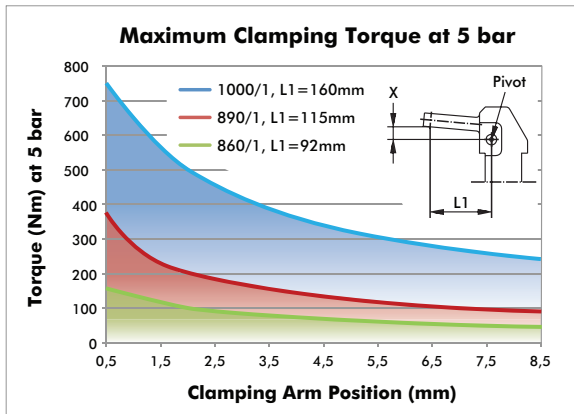
Max Holding Torque  
1300 Nm  
Max Clamping Torque  
270 Nm at 5bar

1000

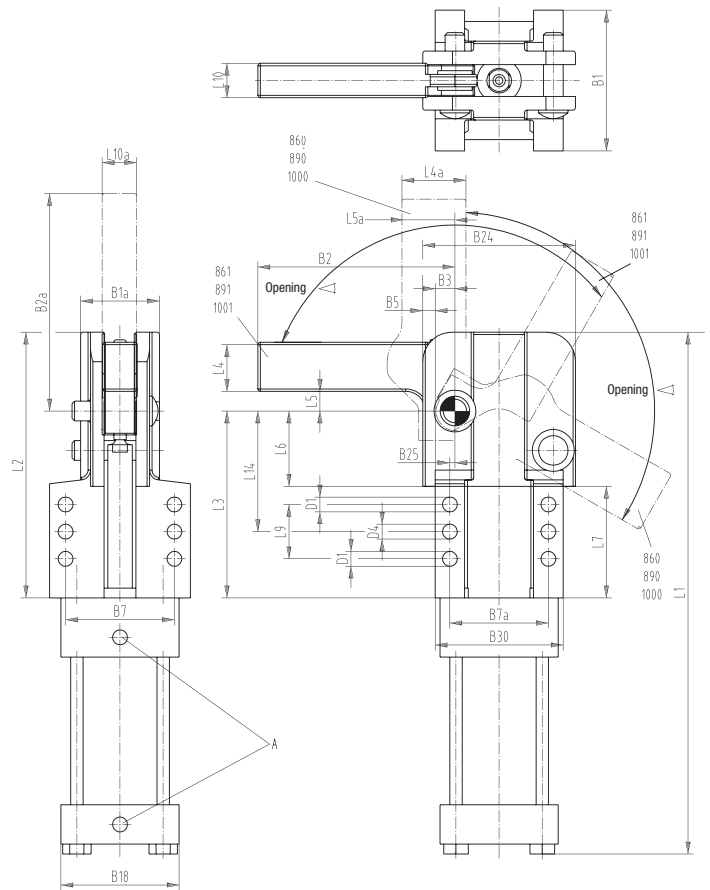
Max Holding Torque  
1800 Nm  
Max Clamping Torque  
420 Nm at 5bar

# 860, 861, 890, 891, 1000, 1001 SERIES

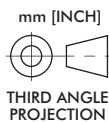
## Pneumatic Power Clamps | Dimensions and Technical Specifications



Model	Cylinder Ø mm [in]	Opening Angle	Weight kg [lbs]
860	[2.00]	96°	[8.58]
861	50,8	119°	3,9
890	[2.50]	96°	[16.06]
891	63,5	119°	7,3
1000	[3.25]	96°	[29.70]
1001	82,5	119°	13,5



Power by compressed air, max. 6 bar  
Operation with oil-free air is permissible.



Information for machining of clamp arm: Steel 1.0726

Model	A	B1	B1A	B2	B2A	B3	B5	B7	B7A	B18	B24	B25	B30
860	G1/8	[2.94] 74,7	[1.75] 44,5	-	[5.44] 138,2	[0.41] 10,4	[0.25] 6,4	[2.31] 58,7	[2.19] 55,6	[2.5] 63,5	[3.31] 84,1	[0.09] 2,3	[2.81] 71,4
861	G1/8	[3.56] 90,4	[2] 50,8	-	[6.57] 166,9	[0.5] 12,7	[0.31] 7,9	[2.76] 70,1	[2.5] 63,5	[3] 76,2	[3.87] 98,3	[0.13] 3,3	[3.25] 82,6
890	G1/8	[4.5] 114,3	[2.62] 66,5	-	[9] 228,6	[0.63] 16	[0.44] 11,2	[3.5] 88,9	[3.5] 88,9	[3.75] 95,3	[5.38] 136,7	[0.13] 3,3	[4.5] 114,3
891	G1/8	[4.5] 114,3	[2.62] 66,5	-	[9] 228,6	[0.63] 16	[0.44] 11,2	[3.5] 88,9	[3.5] 88,9	[3.75] 95,3	[5.38] 136,7	[0.13] 3,3	[4.5] 114,3
1000	G1/8	[4.5] 114,3	[2.62] 66,5	-	[9] 228,6	[0.63] 16	[0.44] 11,2	[3.5] 88,9	[3.5] 88,9	[3.75] 95,3	[5.38] 136,7	[0.13] 3,3	[4.5] 114,3
1001	G1/8	[4.5] 114,3	[2.62] 66,5	-	[9] 228,6	[0.63] 16	[0.44] 11,2	[3.5] 88,9	[3.5] 88,9	[3.75] 95,3	[5.38] 136,7	[0.13] 3,3	[4.5] 114,3

Model	ØD1	ØD4	L1	L2	L3	L4	L4A	L5	L5a	L6	L7	L9	L10	L10a	L14
860	[0.34] 8,6	[0.31] 7,9	[12.44] 316	[5.75] 146,1	[4.06] 103,1	-	[1.12] 28,4	--	[0.69] 17,4	[1.44] 36,6	[2.5] 63,5	[1.25] 31,8	[0.62] 15,7	[0.62] 15,7	[2.5] 63,5
861	[0.41] 10,4	[0.38] 9,7	[13.37] 339,6	[6.75] 171,5	[4.75] 120,7	-	[1.25] 31,8	-	[0.84] 21,4	[1.75] 44,5	[2.65] 67,3	[1.38] 35,1	[0.81] 20,6	[0.81] 20,6	[3.06] 77,7
890	[0.53] 13,5	[0.5] 12,7	[17.51] 444,8	[9.25] 235	[6.25] 158,8	-	[1.75] 44,5	-	[1.37] 34,8	[2.25] 57,2	[3.96] 100,6	[2] 50,8	[1] 25,4	[1] 25,4	[3.75] 95,3
891	[0.53] 13,5	[0.5] 12,7	[17.51] 444,8	[9.25] 235	[6.25] 158,8	-	[1.75] 44,5	-	[1.37] 34,8	[2.25] 57,2	[3.96] 100,6	[2] 50,8	[1] 25,4	[1] 25,4	[3.75] 95,3
1000	[0.53] 13,5	[0.5] 12,7	[17.51] 444,8	[9.25] 235	[6.25] 158,8	-	[1.75] 44,5	-	[1.37] 34,8	[2.25] 57,2	[3.96] 100,6	[2] 50,8	[1] 25,4	[1] 25,4	[3.75] 95,3
1001	[0.53] 13,5	[0.5] 12,7	[17.51] 444,8	[9.25] 235	[6.25] 158,8	-	[1.75] 44,5	-	[1.37] 34,8	[2.25] 57,2	[3.96] 100,6	[2] 50,8	[1] 25,4	[1] 25,4	[3.75] 95,3