

603, 608 SERIES

Straight Line Action Clamps | Product Overview

Features:

- Allow handle to rotate and fall below mounting plane to lock in retracted position
- Large holding capacities for their size
- Available with DESTACO® Toggle Lock Plus

Applications:

- Assembly & test
- Checking fixtures
- Welding fixtures
- Tensioning devices

Also Available:

See page MC-ACC-1 for accessories

803 Pneumatic Toggle Clamp
See page MC-PTC-27

803-ME Pneumatic Toggle Clamp
See page MC-PTC-27

Covered under one or more U.S./International Patents

603
603-M



603-SS
603-MSS
Stainless
Steel



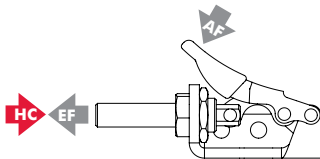
603-R
603-MR
with
DESTACO®
Toggle Lock
Plus



608
608-M



Technical Information | Holding Capacities



Model	Max. Holding Capacity	Weight	EF:AF (pushing/pulling)	Plunger Travel	(M) Plunger Thread	Recommended Spindle (Not Supplied)
603	[600 lbf] 2670 N				5/16-18	207203
603-M					M8	207203-M
603-SS	[840 lbf] 3740 N	[0.83lb] 0,38kg	23:1/34:1	[1.25] 31,8	5/16-18	207943
603-MSS					M8	207943-M (supplied)
603-R	[600 lbf] 2670 N				5/16-18	207203
603-MR					M8	207203-M
608	[850 lbf] 3780 N	[1.25lb] 0,57kg	44:1/50:1	[1.63] 41,3	3/8-16	210203
608-M					M10	210203-M

HC = Holding Capacity, EF = Exerting Force, AF = Applied Force

603, 608 SERIES

Straight Line Action Clamps | Dimensions | -M/-SS/-MSS/-R/-MR

603
603-M



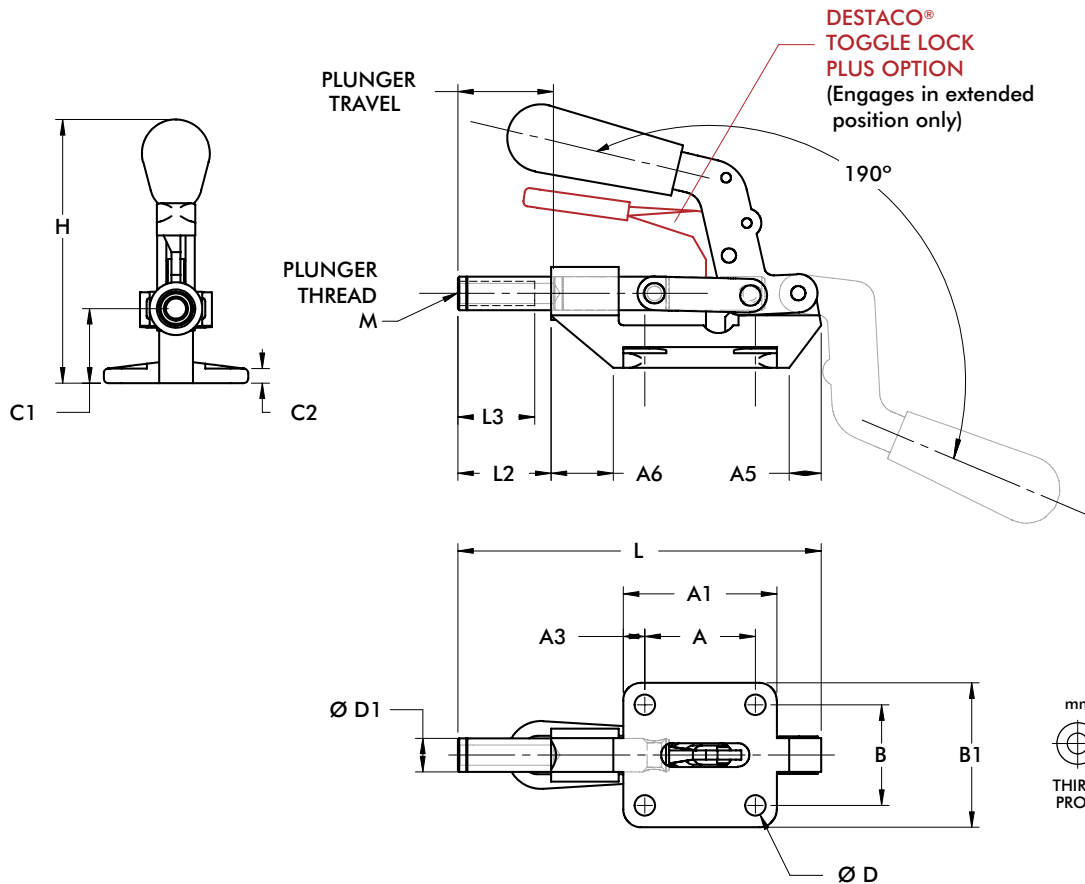
603-SS
603-MSS
Stainless Steel



603-R
603-MR
with
DESTACO®
Toggle Lock
Plus



608
608-M



Model	A	A1	A3	A5	A6	B	B1	C1	C2	D	D1	H	L	L2	L3
603		[2.17]	[0.34]	[0.51]	[0.82]				[0.19]		[0.44]	[3.43]	[4.77]		
603-M		55	8,5	13	21				4,8		11,1	87	121,2		
603-SS	[1.44]			[0.54]	[0.65]	[1.31]	[1.88]	[0.97]	[0.25]	[0.27]	[0.47]	[3.28]	[4.69]	[1.28]	[1.00]
603-MSS	36,6	[2.20]	[0.30]	13,6	16,5	33,3	48	24,6	6,4	6,8	12	83,4	119,2	32,5	25,4
603-R			7,5	[0.51]	[0.82]						[0.44]	[3.43]	[4.77]		
603-MR				13	21				[0.19]		11,1	87	121,2		
608	[1.63]	[2.25]	[0.31]	[0.75]	[1.40]	[1.63]	[2.25]	[1.25]	4,8	[0.33]	[0.62]	[4.04]	[6.00]	[1.59]	[1.25]
608-M	41,4	57,2	8	19	36	41,4	57,2	31,8		8,4	15,8	102,6	152,3	40,5	31,8

605 SERIES

Straight Line Action Clamps | Product Overview

Features:

- For push/pull clamping
- Allow handle to rotate and fall below mounting plane to lock in retracted position

Applications:

- Assembly & test
- Woodworking
- Tensioning devices

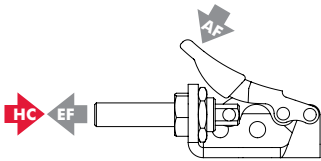
Also Available:

See page MC-ACC-1 for accessories
Reverse action version Model 615/615-M

605
605-M

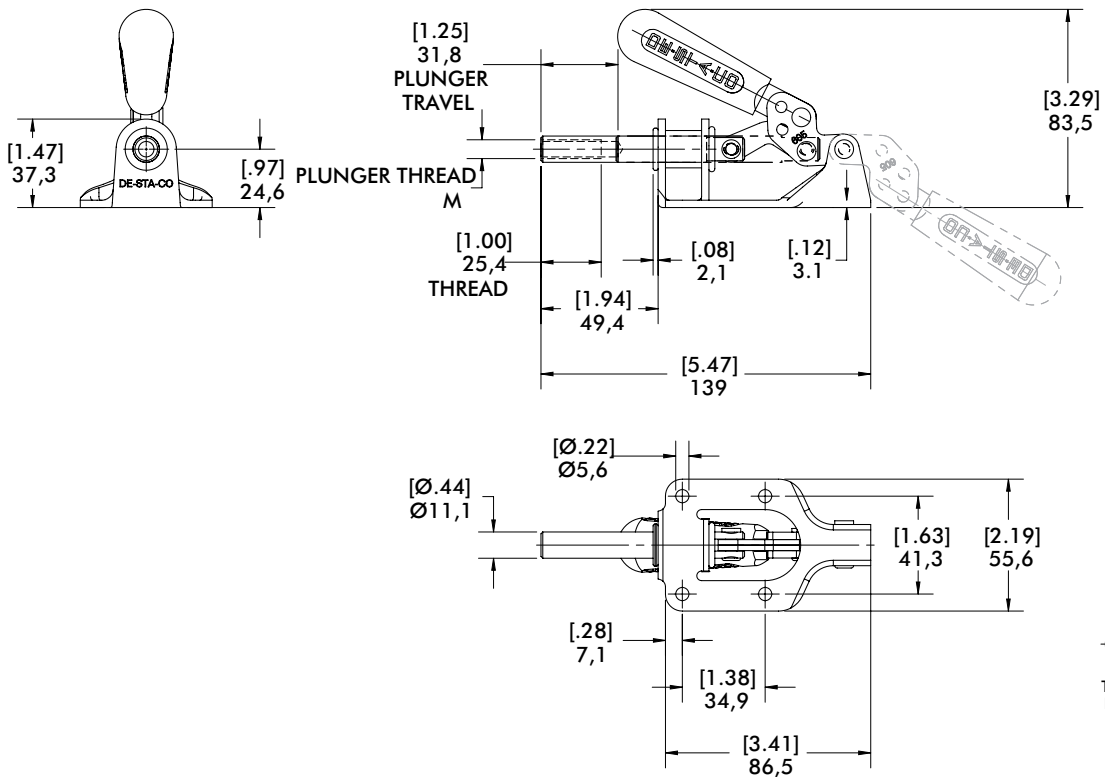


Technical Information | Holding Capacities | Dimensions



Model	Max. Holding Capacity	Weight	EF:AF (pushing/pulling)	Plunger Travel	(M) Plunger Thread	Recommended Spindle (Not Supplied)
605	[300 lbf] 1330 N	[0.69lb] 0,31kg	45:1/40:1	[1.25] 31,8	5/16-18	207203
605-M					M8	207203-M

HC = Holding Capacity, EF = Exerting Force, AF = Applied Force



Features:

- Handle and linkage swivel 125° for mounting flexibility
- Narrow base for tight spaces
- Plunger locks in extended position only

Applications:

- Assembly & test
- Woodworking
- Tensioning devices

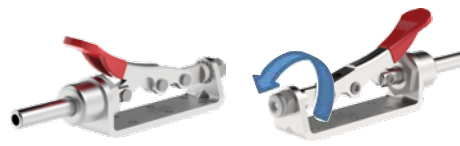
Also Available:

See page MC-ACC-1 for accessories

606
606-M



Mounting configuration:

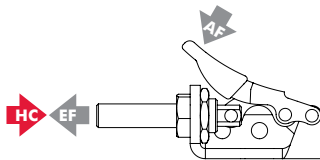


Bottom Mount



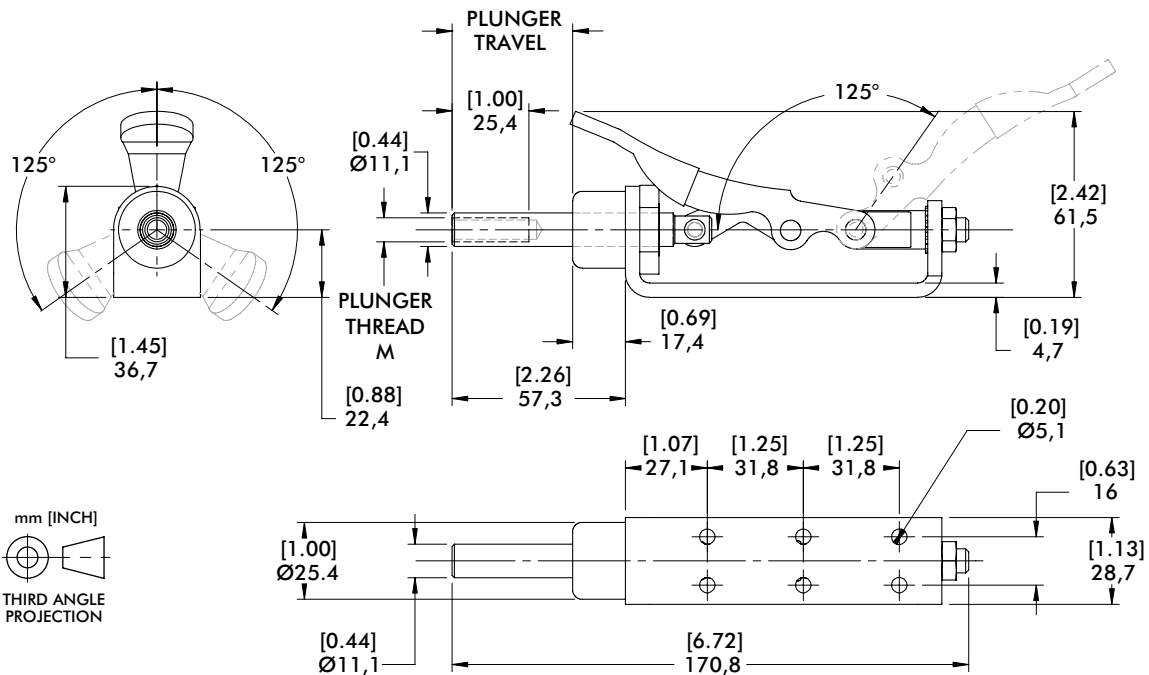
Side Mount

Technical Information | Holding Capacities | Dimensions



Model	Max. Holding Capacity	Weight	EF:AF (pushing)	Plunger Travel	(M) Plunger Thread	Recommended Spindle (Not Supplied)
606	[450 lbf] 2000 N	[0.81 lb] 0,37kg	33:1	40 [1.57]	5/16-18 M8	207203
606-M						207203-M

HC = Holding Capacity, EF = Exerting Force, AF = Applied Force



607 SERIES

Straight Line Action Clamps | Product Overview

Features:

- Low profile and high holding capacity for its size
- Available with round or square plunger to resist torsional loads
- Allow handle to rotate and fall below mounting plane to lock in retracted position

Applications:

- Assembly & test
- Welding
- Tensioning devices

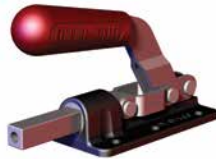
Also Available:

See page MC-ACC-1 for accessories

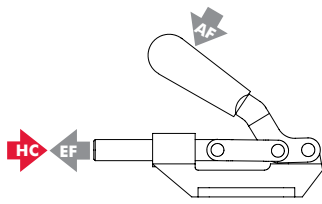
607
607-M



607-SQ
607-SQM
with Square
Plunger

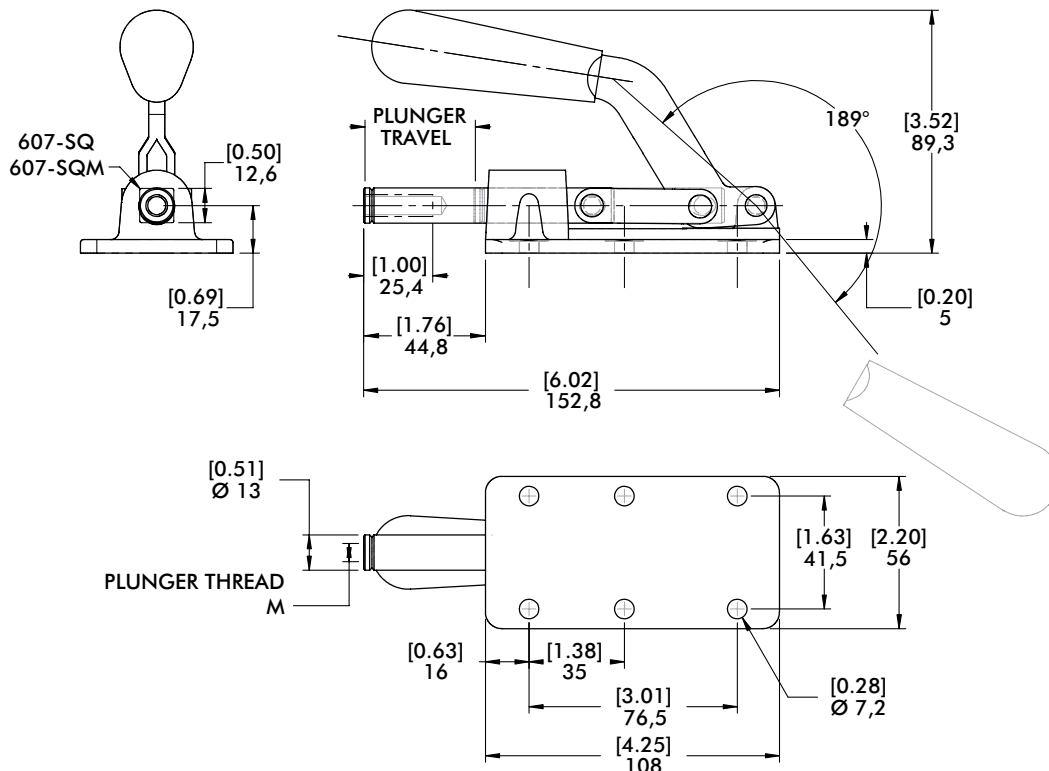


Technical Information | Holding Capacities | Dimensions



Model	Max. Holding Capacity	Weight	EF:AF (pushing/pulling)	Plunger Travel	(M) Plunger Thread	Recommended Spindle (Not Supplied)
607					5/16-18	207203
607-M	[800 lbf] 3560 N	[1.63lb] 0,74kg	37:1/64:1	[1.63] 41,4	M8	207203-M
607-SQ					5/16-18	207203
607-SQM					M8	207203-M

HC = Holding Capacity, EF = Exerting Force, AF = Applied Force



Features:

- Low profile and high holding capacity for its size
- Flanged or straight base
- Allow handle to rotate and fall below mounting plane to lock in retracted position

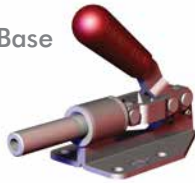
Applications:

- Assembly & test
- Welding
- Tensioning devices

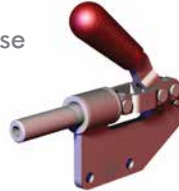
Also Available:

See page MC-ACC-1 for accessories

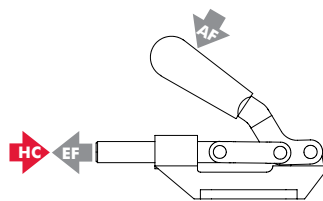
609
Flanged Base



609-B
Straight Base

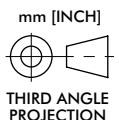
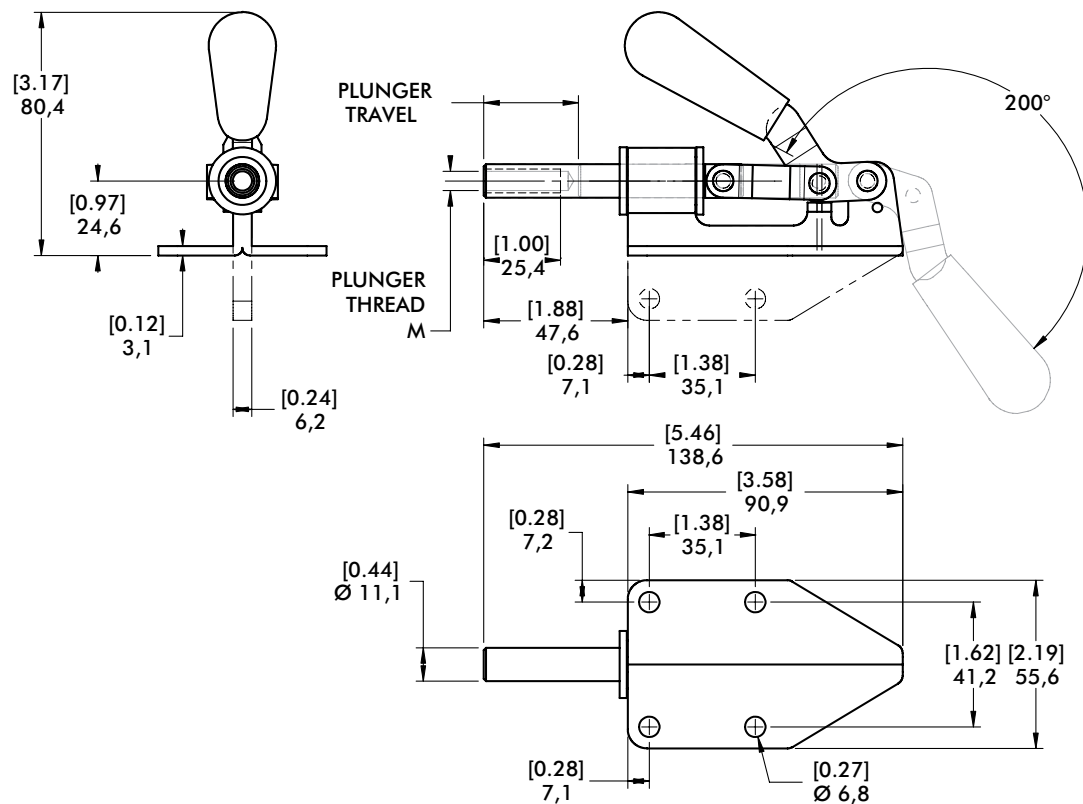


Technical Information | Holding Capacities | Dimensions



Model	Max. Holding Capacity	Weight	EF:AF (pushing/pulling)	Plunger Travel	(M) Plunger Thread	Recommended Spindle (Not Supplied)
609	[300 lbf] 1330 N	[0.88lb] 0,40kg	36:1/47:1	[1.25] 31,8	5/16-18	207203
609-B						

HC = Holding Capacity, EF = Exerting Force, AF = Applied Force



610 SERIES

Straight Line Action Clamps | Product Overview

Features:

- For push/pull clamping
- Allow handle to rotate and fall below mounting plane to lock in retracted position

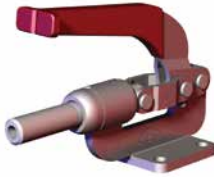
Applications:

- Assembly & test
- Woodworking
- Tensioning devices

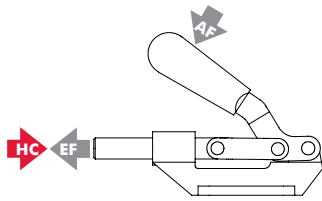
Also Available:

See page MC-ACC-1 for accessories

610
610-M

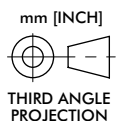
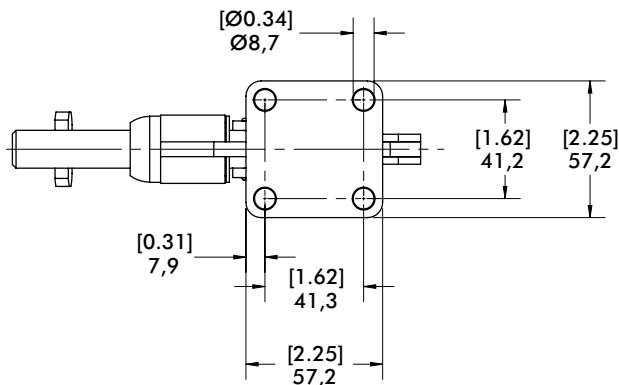
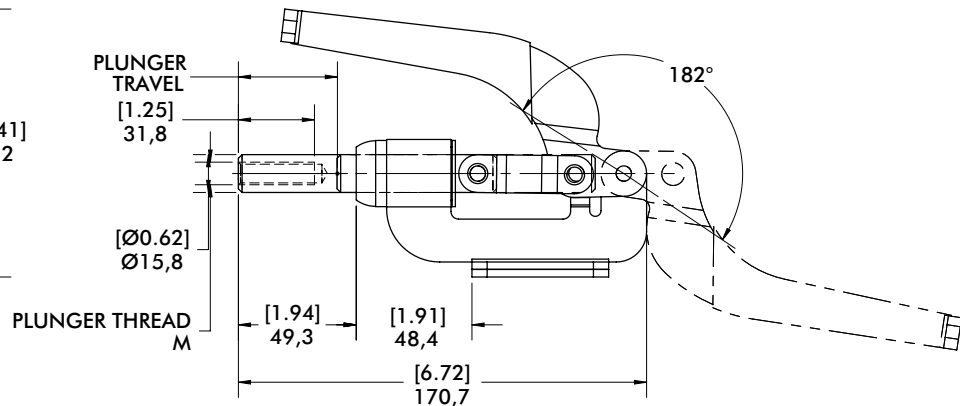
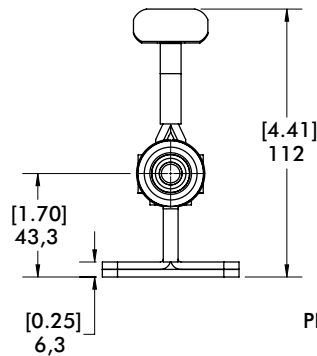


Technical Information | Holding Capacities | Dimensions



Model	Max. Holding Capacity	Weight	EF:AF (pushing/pulling)	Plunger Travel	(M) Plunger Thread	Recommended Spindle (Not Supplied)
610	[800 lbf]	[1.69lb]	51:1/70:1	[1.63]	3/8-16	210203
610-M	3560 N	0,77kg		41,4	M10	210203-M

HC = Holding Capacity, EF = Exerting Force, AF = Applied Force



Features:

- Reverse handle action.
- Plunger locks in the extended position only as the handle is moved downward

Applications:

- Assembly & test
- Woodworking
- Tensioning devices

Also Available:

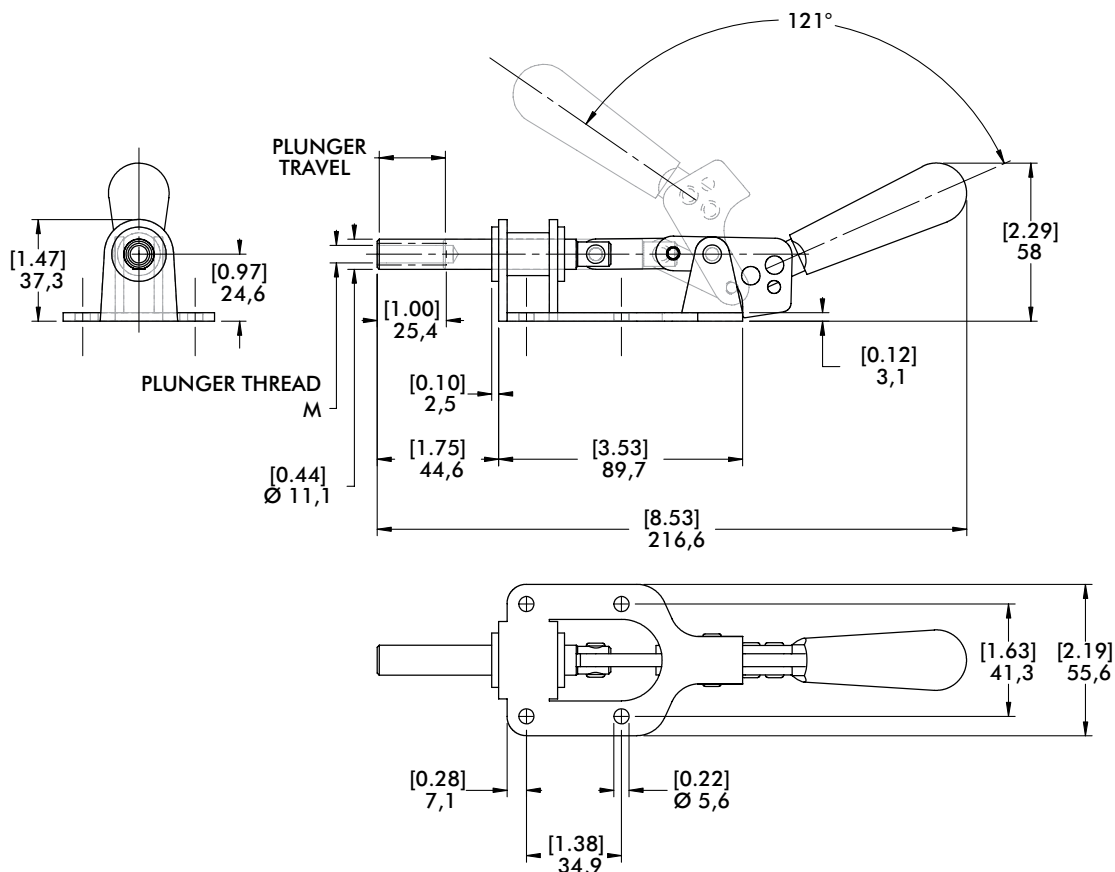
See page MC-ACC-1 for accessories

615



Technical Information | Holding Capacities | Dimensions

Model	Max. Holding Capacity	Weight	Plunger Travel (M)	Plunger Thread	Recommended Spindle (Not Supplied)
615	[300 lbf] 1330 N	[0.69lb] 0,31kg	[0.97] 24,6	5/16-18	207203



620 SERIES

Straight Line Action Clamps | Product Overview

Features:

- Reverse handle action
- Plunger locks in the extended position only as the handle is moved downward

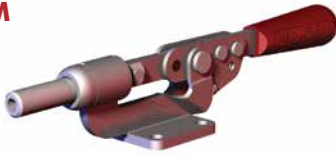
Applications:

- Assembly & test
- Woodworking
- Tensioning devices

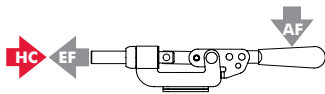
Also Available:

See page MC-ACC-1 for accessories

620
620-M

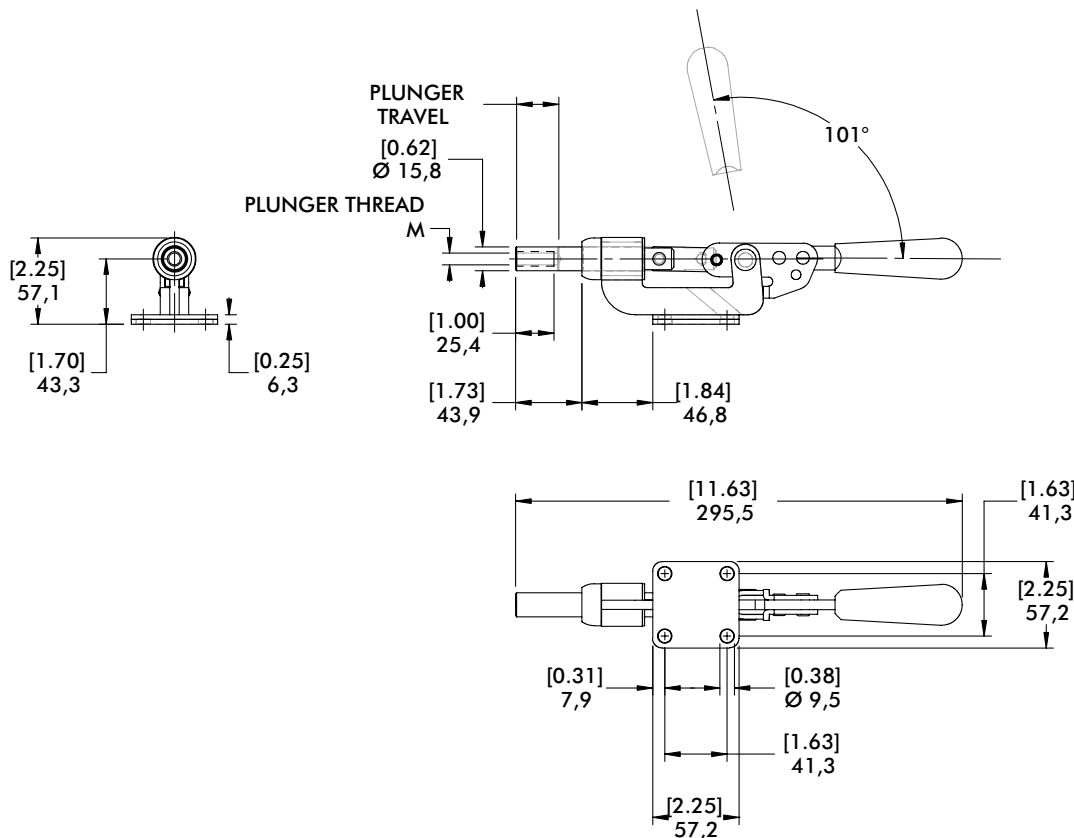


Technical Information | Holding Capacities | Dimensions



Model	Max. Holding Capacity	Weight	EF:AF (pushing/pulling)	Plunger Travel	(M) Plunger Thread	Recommended Spindle (Not Supplied)
620	[600 lbf] 2670 N	[1.50lb] 0,68kg	44:1	[1.11] 28,2	3/8-16	210203
620-M					M10	210203-M

HC = Holding Capacity, EF = Exerting Force, AF = Applied Force



Features:

- For push/pull clamping
- Allow handle to rotate and fall below mounting plane to lock in retracted position
- Available with DESTACO® Toggle Lock Plus

Applications:

- Assembly & test
- Welding
- Tensioning devices

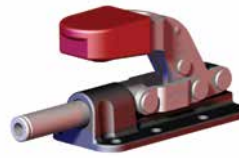
Also Available:

See page MC-ACC-1 for accessories
830, 830-ME Pneumatic Toggle Clamp
(See page MC-PTC-27)

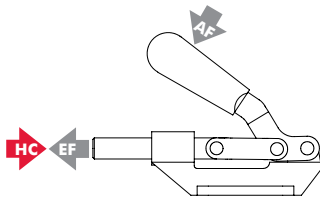
630
630-M



630-R
630-MR
with
DESTACO®
Toggle Lock
Plus

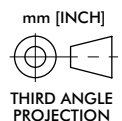
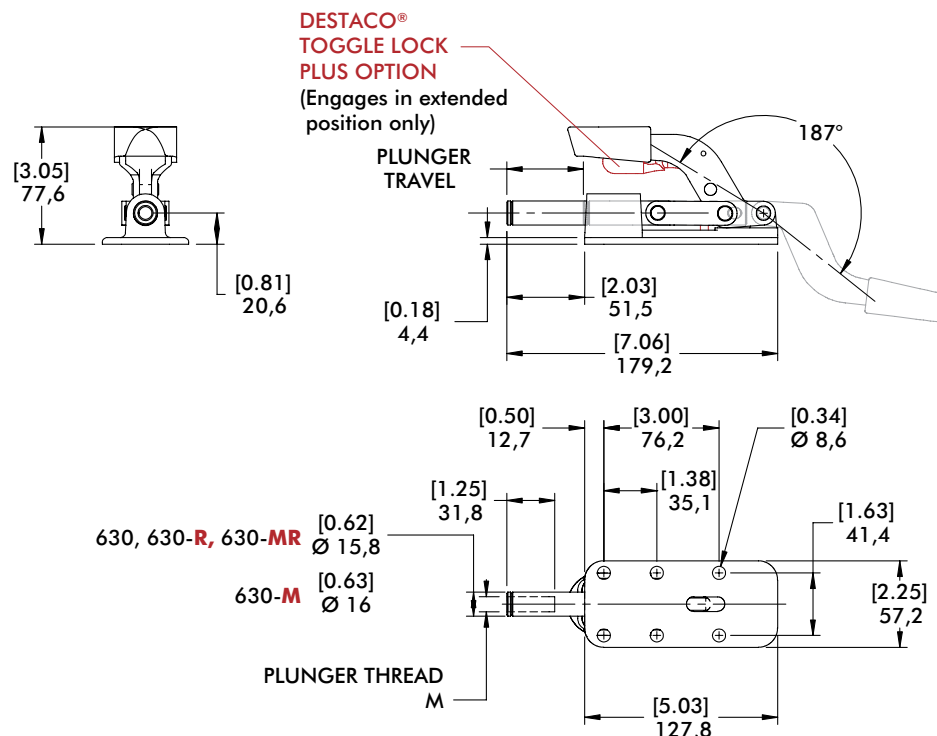


Technical Information | Holding Capacities | Dimensions



Model	Max. Holding Capacity	Weight	EF:AF (pushing/pulling)	Plunger Travel	(M) Plunger Thread	Recommended Spindle (Not Supplied)
630					3/8-16	210203
630-M	[2,500 lbf] 11100 N	[1.90lb] 0,89kg	36:1/23:1	[2.00] 50,8	M10	210203-M
630-R					3/8-16	210203
630-MR					M10	210203-M

HC = Holding Capacity, EF = Exerting Force, AF = Applied Force



640 SERIES

Straight Line Action Clamps | Product Overview

Features:

- For heavy duty push/pull clamping
- Longest stroke of our Straight Line Action Clamps
- Allow handle to rotate and fall below mounting plane to lock in retracted position
- Available with DESTACO® Toggle Lock Plus

Applications:

- Assembly & test
- Welding
- Tensioning devices

Also Available:

See page MC-ACC-1 for accessories

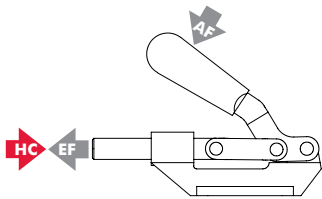
640
640-M



640-R
640-MR
with
DESTACO®
Toggle Lock
Plus

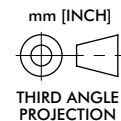
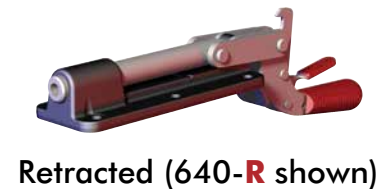
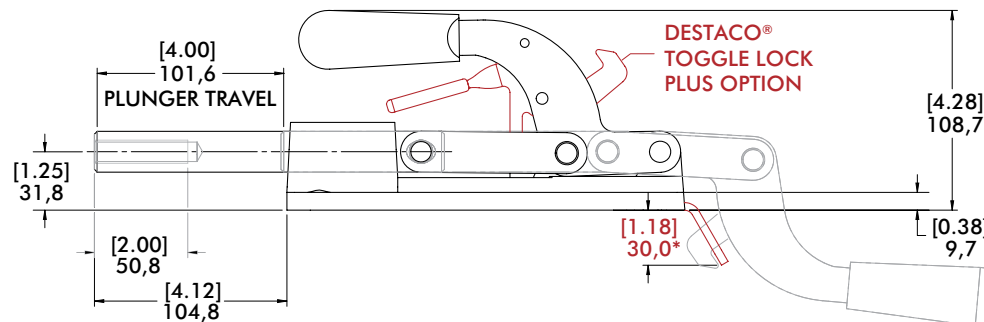
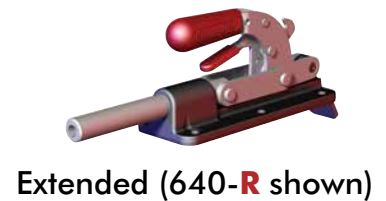
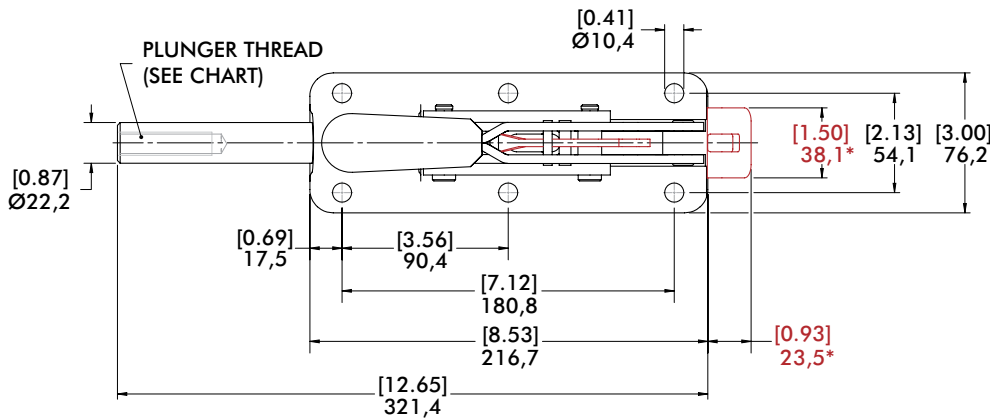


Technical Information | Holding Capacities | Dimensions



Model	Max. Holding Capacity	Weight	EF:AF (pushing)	Plunger Travel	(M) Plunger Thread	Recommended Spindle (Not Supplied)
640					1/2-13	220203
640-M	[7,500 lbf] 33400 N	[6.78lb] 3,08kg	35:1	[4.00] 101,6	M12	220203-M
640-R					1/2-13	220203
640-MR					M12	220203-M

HC = Holding Capacity, EF = Exerting Force, AF = Applied Force



(* Dimensions above in RED applies to the 640-R/640-MR only

Features:

- For heavy duty push/pull clamping
- Largest of our Straight Line Action Clamps
- Forged steel base and handle
- Allow handle to rotate and fall below mounting plane to lock in retracted position

Applications:

- Assembly
- Welding
- Staking, light presswork
- Tensioning devices

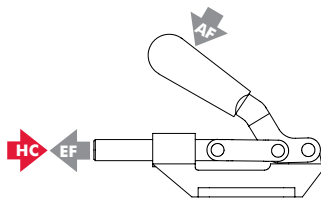
Also Available:

See page MC-ACC-1 for accessories

650
650-M

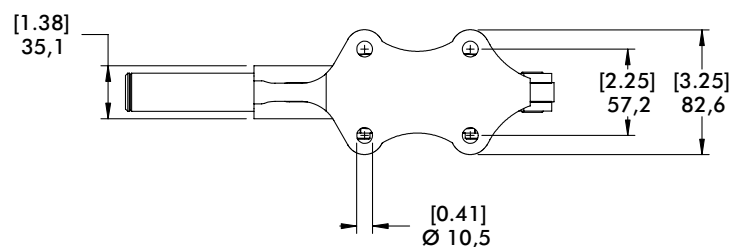
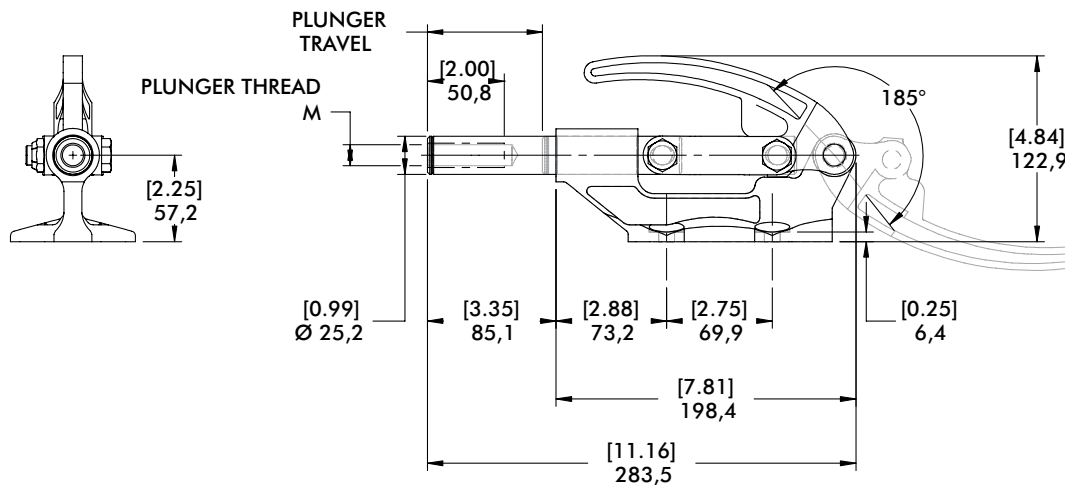


Technical Information | Holding Capacities | Dimensions



Model	Max. Holding Capacity	Weight	EF:AF (pushing)	Plunger Travel	(M) Plunger Thread	Recommended Spindle (Not Supplied)
650	[16,000 lbf] 71200 N	[5.69lb] 2,58kg	25:1	[3.00] 76,6	5/8-11	250203
650-M					M16	250203-M

HC = Holding Capacity, EF = Exerting Force, AF = Applied Force



mm [INCH]
THIRD ANGLE PROJECTION