

601 SERIES

Straight Line Action Clamps | Product Overview

Features:

- Compact straight line action clamp

Applications:

- Assembly
- Testing
- Soldering
- Gluing

Also Available:

See page MC-ACC-1 for accessories

601



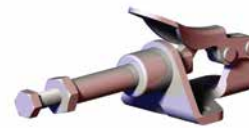
601-M



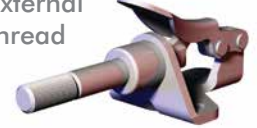
601-O
Straight Base
U-Bar



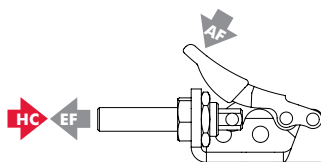
601-SS
Stainless steel



601-OSS ⓘ
Stainless steel
External
thread

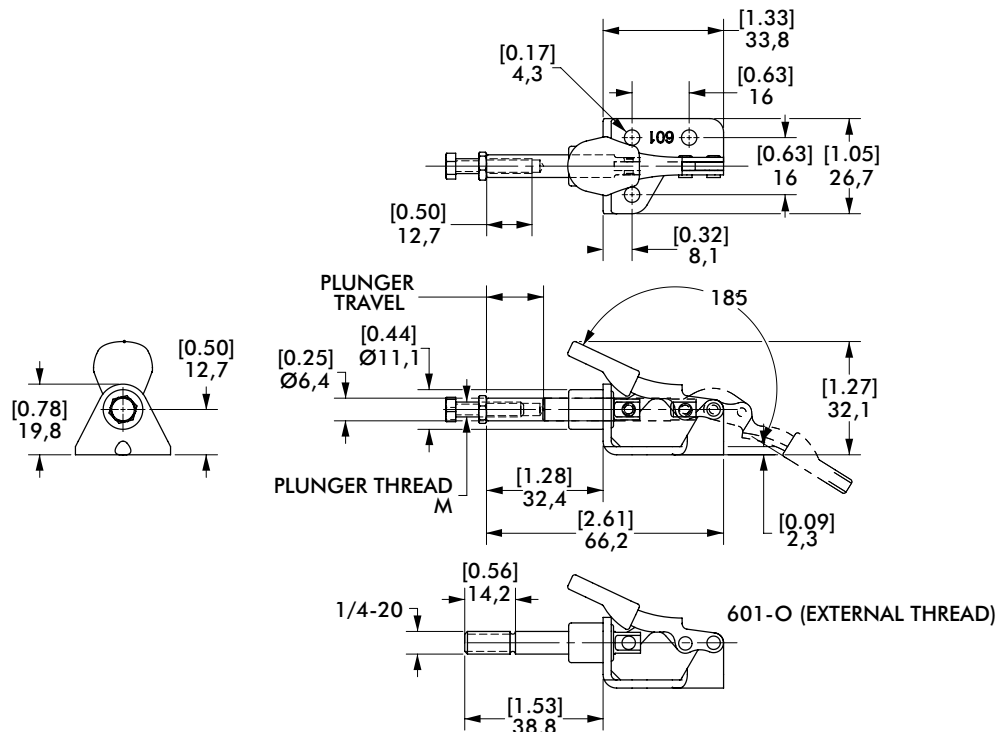


Technical Information | Holding Capacities | Dimensions



Model	Max. Holding Capacity	Weight	EF:AF (pushing/pulling)	Plunger Travel (M)	Plunger Thread (M)	Spindle (Recommended)	Spindle Included
601					#8-32	105203	Yes
601-M					M4	205208-M	No
601-O	[100 lbf] 440 N	[0.09lb] 0,04kg	14:1/25:1	[0.63] 16	1/4-20	--	No
601-SS					#8-32	205943	Yes
601-OSS ⓘ					1/4-20	--	No

ⓘ This item is available upon request HC = Holding Capacity, EF = Exerting Force, AF = Applied Force



6001 SERIES

Straight Line Action Clamps | Product Overview

Features:

- Heavier duty version of Model 601 with 50% more holding capacity
- Mounting pattern interchangeable with Model 601
- Allow handle to fall below mounting plane to lock in retracted position

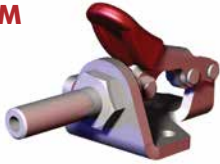
Applications:

- Assembly
- Testing
- Soldering
- Gluing

Also Available:

See page MC-ACC-1 for accessories

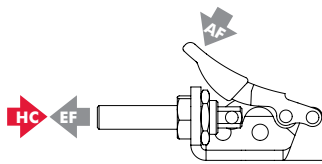
6001
6001-M



6001-SS
6001-MSS

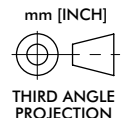
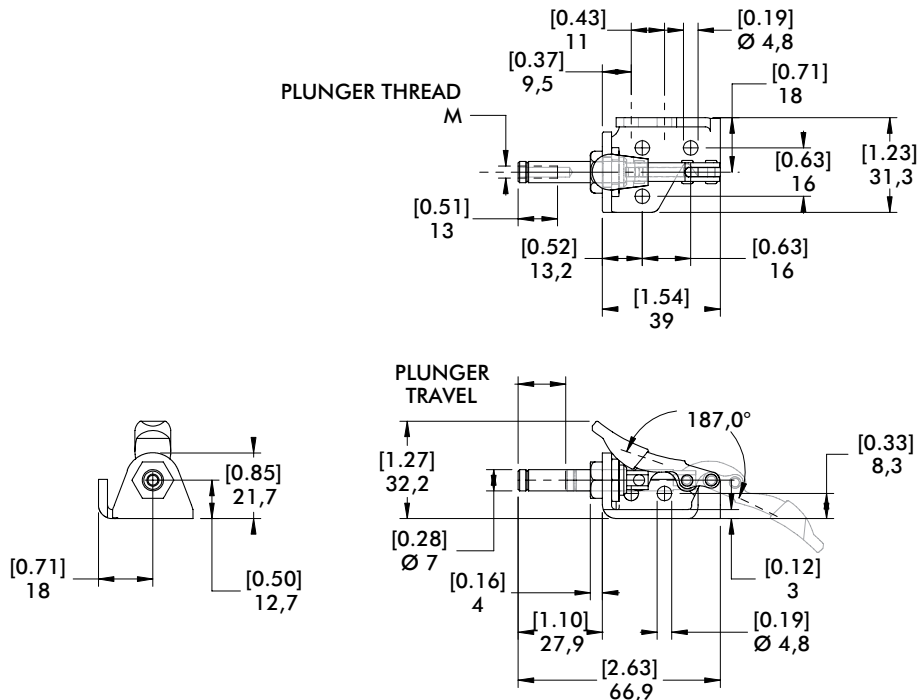


Technical Information | Holding Capacities | Dimensions



Model	Max. Holding Capacity	Weight	EF:AF (pushing/pulling)	Plunger Travel	(M) Plunger Thread	Spindle (Recommended)	Spindle Included
6001					#8-32	105203	No
6001-M	[150 lbf] 670 N	[0.12lb] 0,05kg	14:1/25:1	[0.63] 16	M4	205208-M	
6001-SS					#8-32	205943	Yes
6001-MSS					M4	205943-M	

HC = Holding Capacity, EF = Exerting Force, AF = Applied Force



6015 SERIES

Straight Line Action Clamps | Product Overview

Features:

- Smallest of the solid base Straight Line Action clamps
- Compact design combined with high holding capacity
- Allow handle to fall below mounting plane to lock in retracted position

Applications:

- Assembly
- Checking fixtures
- Tensioning devices

Also Available:

See page MC-ACC-1 for accessories

Covered under one or more U.S./International Patents

6015
6015-M



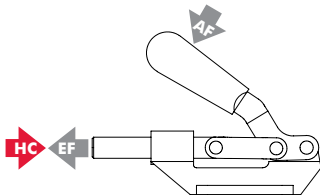
6015-SS,
6015-MSS
Stainless
Steel



6015-R,
6015-MR
with DESTACO®
Toggle Lock
Plus



Technical Information | Holding Capacities



Model	Max. Holding Capacity	Weight	EF:AF (pushing/pulling)	Plunger Travel	(M) Plunger Thread	Recommended Spindle (Not Supplied)
6015	[560 lbf] 2500 N	[0.35lb] 0,15kg	35:1	[0.70] 17,8	1/4-20	205203
6015-M					M6	205203-M
6015-SS	[630 lbf] 2800 N				1/4-20	202943 (supplied)
6015-MSS					M6	202916-M (supplied)
6015-R	[560 lbf] 2500 N				1/4-20	205203
6015-MR					M6	205203-M

HC = Holding Capacity, EF = Exerting Force, AF = Applied Force

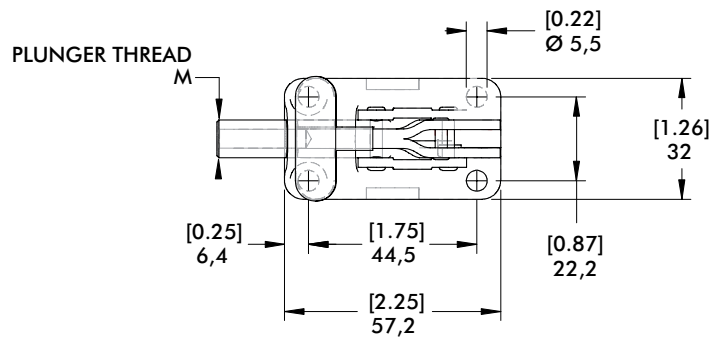
6015
6015-M



6015-SS,
6015-MSS
Stainless
Steel



6015-R,
6015-MR
with DESTACO®
Toggle Lock Plus



DESTACO®
TOGGLE LOCK
PLUS OPTION
6015-R / 6015-MR
(Engages in extended
position only)

