

803 SERIES

Pneumatic Toggle Clamps | Product Overview

Features:

- Pneumatic version of Model 603 manual straight line action clamp
- Sensor ready for round or T-slot style sensors

Applications:

- Assembly
- Welding

Also Available:

See page MC-ACC-1 for spindle accessories

See page MC-PSC-40 for sensing options

High temperature version available
Upon Request, add **-HT** to model number. Example: 803-U-**HT**

803
803-ME



Technical Information | Holding Capacities | Dimensions

Model	Maximum Holding Capacity	Maximum Exerting Force @ 5bar [72PSI]	Plunger Travel	Plunger Thread	Weight	Bore Size	Air Consumption† dm³ [ft³]	Port Size
803	[600 lbf] 2670 N	[675 lbf] 3015 N	[0.75] 19,1	5/16-18	[1.86lb] 0,84kg	[1.26] 32	[0.015] 0,42	1/8 NPT
803-ME				M8				G-1/8

†Per double stroke at 5bar [72PSI]

Max Cylinder Pressure: 10bar [145psig]

Max Operating Temp: -10°C to 90°C [-14°F to 194°F]

Replacement Seal Kit: 802450-32-1-00

Replacement Clamp Assembly: 803-LC, 803-M-LC

Replacement Cylinder Assembly: 807CYL

*In no case should the inlet pressure be high enough to create an exerting force that exceeds the clamp's holding capacity.

See Technical Appendix Section for details.

Sensor Accessories

Round Reed Switch with Qk Disconnect

T-slot Reed Switch with Qk Disconnect

Quick Disconnect 2M Extension Cable

Quick Disconnect 5M Extension Cable

See Pneumatic Accessories section for more options

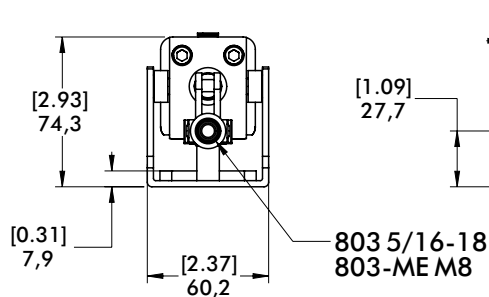
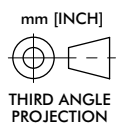
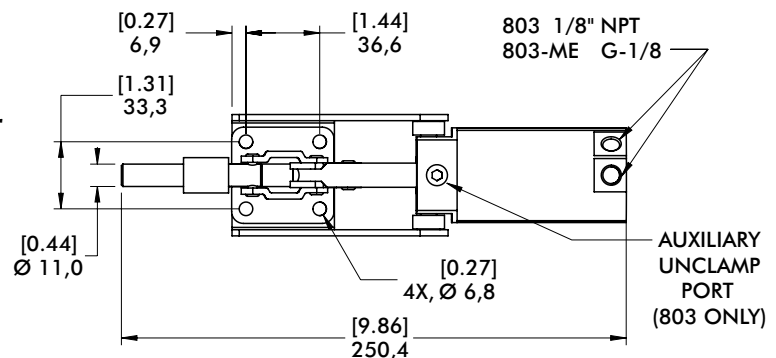
Item Number

810169

8EA-109-1

CABL-010

CABL-013



830 SERIES

Pneumatic Toggle Clamps | Product Overview

Features:

- Pneumatic version of Model 630 manual straight line action clamp
- Sensor ready for round or T-slot style sensors
- Built-in flow restriction eliminates need for external flow controls

Applications:

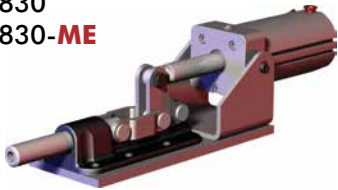
- Assembly
- Welding

Also Available:

See page MC-ACC-1 for spindle accessories

See page MC-PSC-40 for sensing options

830
830-ME



Technical Information | Holding Capacities | Dimensions

Model	Maximum Holding Capacity	Maximum Exerting Force @ 5bar [72PSI]	Plunger Travel	Plunger Thread	Weight	Bore Size	Air Consumption† dm ³ [ft ³]	Port Size
830	[2500 lbf] 11100 N	[800 lbf] 3582 N	[0.75] 19,1	3/8-16	2,79kg [6.14lb]	[1.57] 40	[0.029] 0,83	1/8 NPT
830-ME				M10				G-1/8

†Per double stroke at 5bar [72PSI]

Max Cylinder Pressure: 10bar [145psig]
Max Operating Temp: -10°C to 90°C [-14°F to 194°F]
Replacement Seal Kit: 810450-40-1-00
Replacement Clamp Assembly: 830-LC, 830-M-LC
Replacement Cylinder Assembly: 810CYL

*In no case should the inlet pressure be high enough to create an exerting force that exceeds the clamp's holding capacity. See Technical Appendix Section for details.

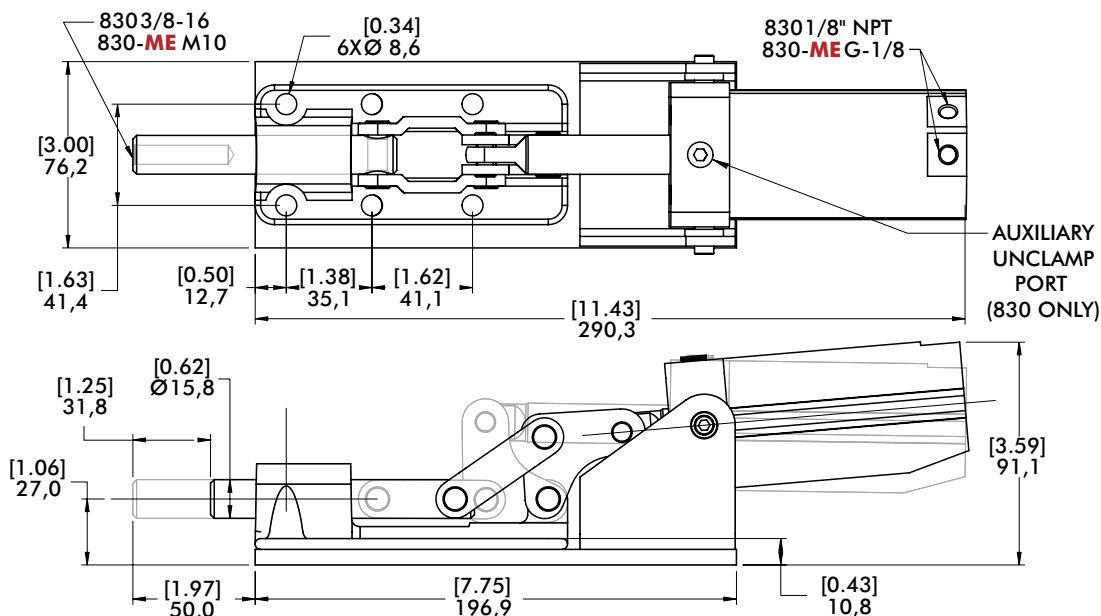
Sensor Accessories

Round Reed Switch with Quick Disconnect
 T-slot Reed Switch with Quick Disconnect
 Quick Disconnect 2M Extension Cable
 Quick Disconnect 5M Extension Cable

Item Number

810169
 8EA-109-1
 CABL-010
 CABL-013

See Pneumatic Accessories section for more options



Features:

- Pneumatic version of Model 650 manual straight line action clamp
- Sensor ready for round or T-slot style sensors
- Built-in flow restriction eliminates need for external flow controls

Applications:

- Assembly
- Welding
- Light press operations

Also Available:

See page MC-ACC-1 for spindle accessories
See page MC-PSC-40 for sensing options

850 ⓘ
850-ME ⓘ



Technical Information | Holding Capacities | Dimensions

Model	Maximum Holding Capacity	Maximum Exerting Force @ 5bar [72PSI]	Plunger Travel	Plunger Thread	Weight	Bore Size	Air Consumption† dm³ [ft³]	Port Size
850 ⓘ	[16,000 lbf]	[1232 lbf]	[2.00]	5/8-11	[16.66lb]	[2.48]	[0.109]	1/4 NPT
850-ME ⓘ	71200 N	5522 N	50,8	M16	7,56kg	63	3,08	G-1/4

ⓘ This item is available upon request. †Per double stroke at 5bar [72PSI]

Max Cylinder Pressure: 10bar [145psig]
Max Operating Temp: -10°C to 90°C [-14°F to 194°F]
Replacement Seal Kit: 850450-63-1-00
Replacement Clamp Assembly: 850-LC, 850-M-LC
Replacement Cylinder Assembly: 868CYL

*In no case should the inlet pressure be high enough to create an exerting force that exceeds the clamp's holding capacity. See Technical Appendix Section for details.

Sensor Accessories

Round Reed Switch with Quick Disconnect
 T-slot Reed Switch with Quick Disconnect
 Quick Disconnect 2M Extension Cable
 Quick Disconnect 5M Extension Cable

Item Number

810169
 8EA-109-1
 CABL-010
 CABL-013

See Pneumatic Accessories section for more options

